

Instructions

for installing WISY Vortex Fine Filter

WFF 150 for roof areas of up to **ca. 500 m²**

WFF 100 for roof areas of up to **ca. 200 m²**

Carries vehicles
of up to **30t**
Normal vehicles to
DIN 1072/SLW 30

English

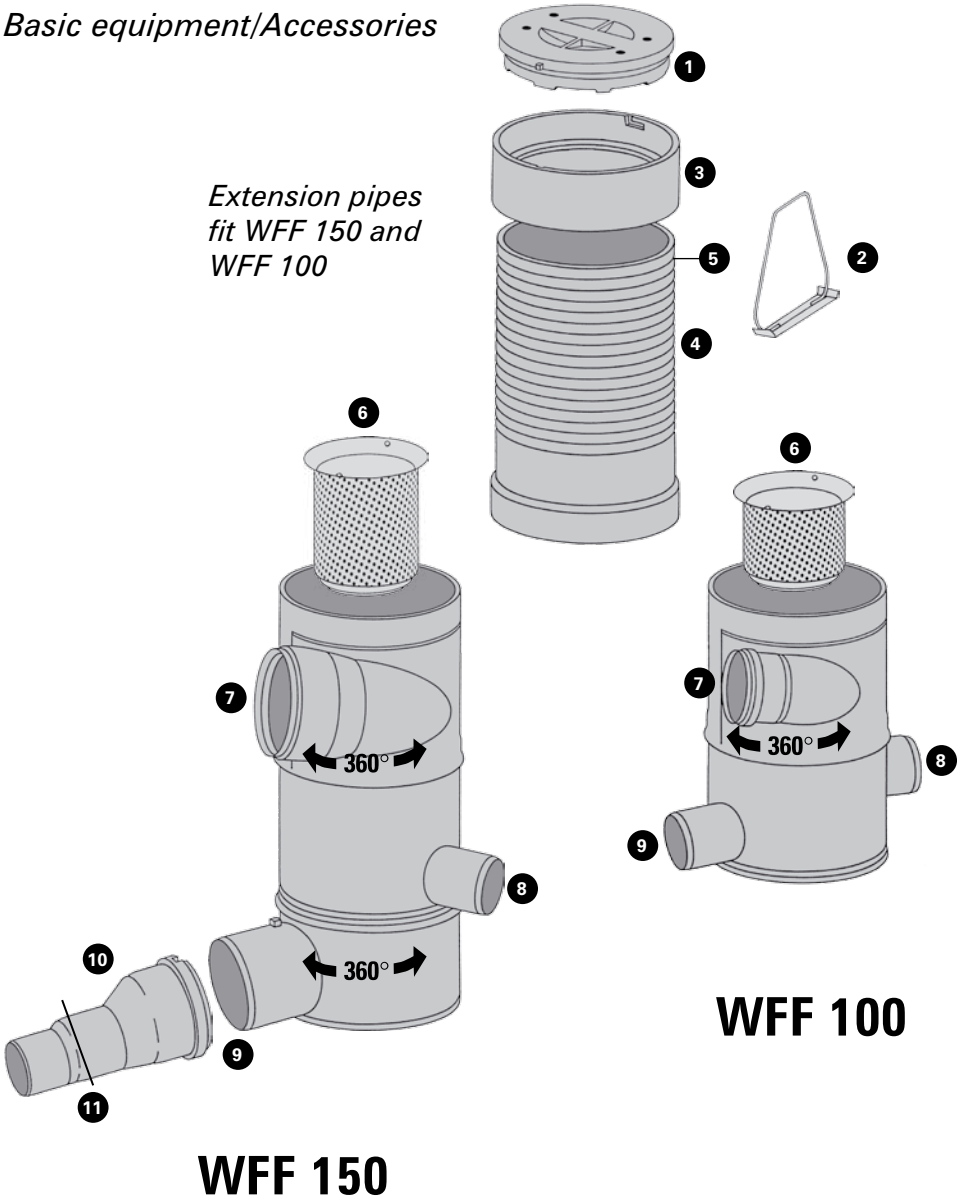
Area of use

The WISY Vortex Fine Filter, subsequently named WFF, is intended for installation underground. Fitted to a horizontal rainwater drainage pipe there, it filters the rainwater from the roof which is then led into a storage cistern. The best roof areas are pitched roofs of slate, clay tiles or concrete tiles. Planted roof areas are only sometimes suitable because of their low rainwater output. Roofs of bitumen felt also cannot be recommended. Unsealed asbestos-cement roofs are not suitable. The fibres washed out of these roof coverings clog the fine filter mesh.

What is what?

Basic equipment/Accessories

*Extension pipes
fit WFF 150 and
WFF 100*

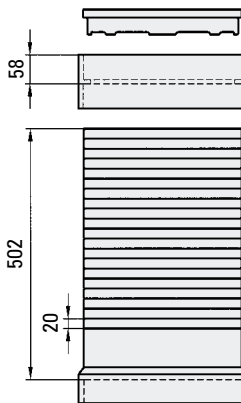


WFF 150

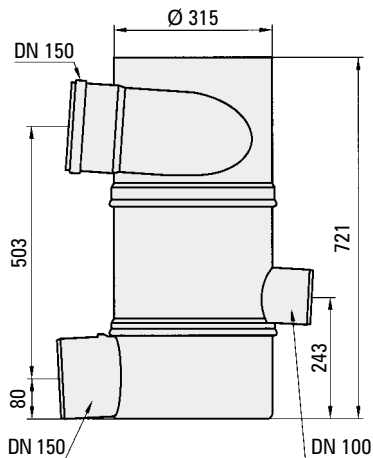
WFF 100

- 1 Housing lid**
with ventilation holes
- 2 Lifting handle**
*(standard length 30 cm)
of stainless steel*
- 3 Top ring**
to support lid
- 4 Extension pipe**
- 5 Saw slits**
- 6 Filter insert**
of stainless steel,
*- for fine filtering, mesh
size 0,28 mm (standard
type)*
*- for rough filtering,
mesh size 0,44 mm*
- 7 Rainwater inlet**
with socket and seal
- 8 Outlet to cistern**
- 9 Outlet to drain**
- 10 Reducer (accessory)**
*to be ordered for WFF
150, for connection to a
DN 125 or DN 100 drain*
- 11 Position to cut for using
DN 125**

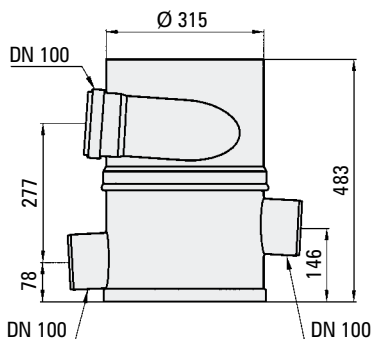
*Housing, Housing lid, Reducer
and Extension pipe are made of
polypropylene.*



Extension pipe



WFF 150



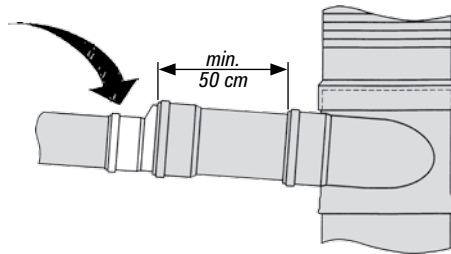
WFF 100

DN= Nominal, internal diameter of a pipe

Hints for the installation

- Installation and connection sizes can be seen in the illustrations. The possible installation of an extension pipe to raise the inspection opening is to be taken into account.
- The necessary depth will be reached in most cases with the extension pipe contained in the basic equipment.
- Before installing in existing pipework it is to be checked whether a height difference between the rainwater inlet pipe and the drain connection of 50,5 cm can be achieved for the **WFF 150** and 27 cm for the **WFF 100**.
- The difference in height between the rainwater inlet pipe and the pipe to the cistern with the **WFF 150** must be 34 cm and for the **WFF 100** 21 cm.
- The necessary depths of incoming and outgoing pipes are to be determined in a new design. A „**Settling length**“ of at least 50 cm is to be planned for this in front of the rainwater inlet.

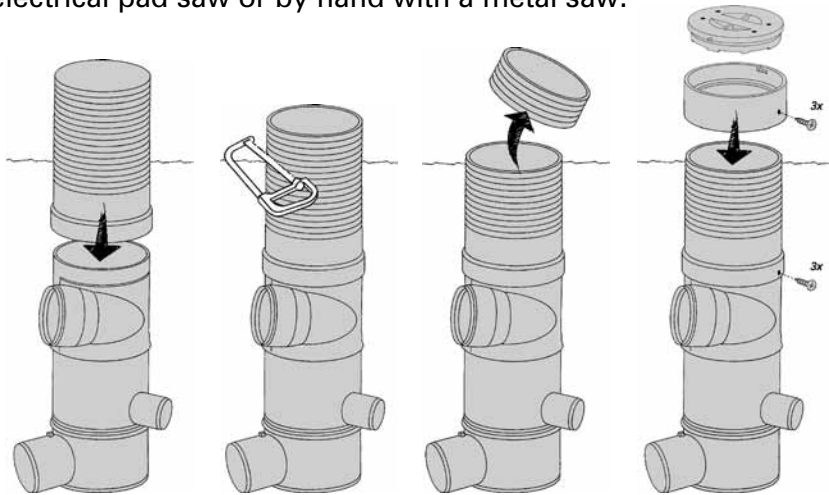
Only for WFF 150:
When installing a possibly necessary reducer (DN 100/150 or DN 125/150) it should be observed that the water can flow in evenly at the same level.



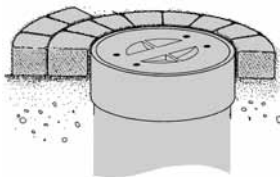
- The nominal size of the drain pipe may not be less than the nominal size of the rainwater inlet pipe, so that there is no restriction in the WFF cross-section.
- If the installation conditions cannot be achieved, the WFF cannot be installed. In this case we recommend the WISY Standpipe Filter Collector for installing into the rainwater downpipe.
- To ensure that the WFF can carry vehicles of up to 30 t (according to ATV test) an appropriately compacted subsoil or concrete slab is required.

The installation

- Remove the transport packing cardboard from inside the housing.
- Carry out the excavation.
- Insert the WFF and make the pipe connections. Turn the rainwater inlet connection to the required position for this.
The WFF must be installed exactly vertical (use a water level).
If necessary, insert an extension pipe up to ground level and screw it on.
- The inspection opening can be adjusted to ground level by cutting along the saw slits of the extension pipe with the help of an electrical pad saw or by hand with a metal saw.



The extension pipe is inserted directly into the WFF housing and screwed through the holes with the enclosed stainless steel screws, before the WFF is set in the ground.

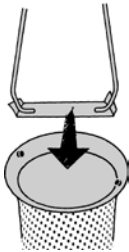


The Top Ring enables the paving to be fitted. The enclosed lid can be unlocked by turning to the left and then lifted out.

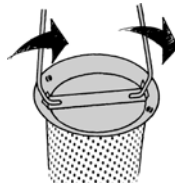
- The use of the WISY top ring is important for a reliable and safe putting on of the housing lid. The top ring is placed either on the filter housing or on the extension pipe, if this is in use. The top ring has to be screwed also with three screws.
- For larger depths, up to two further extension pipes can be assembled (accessories).

Cleaning the filter insert

- Remove the filter insert with the lifting handle provided (standard length 30 cm).



Set down the lifting handle ...



... turn clockwise under the lugs ...



... and remove

- We recommend cleaning every quarter. Cleaning at shorter intervals may be necessary in unfavourable cases; in favourable cases after six months, but then clean the filter insert in any case.
- After cleaning the filter insert make sure to remove the lifting handle and store it in a safe place. Otherwise the handle will reduce the effectivity of the waterflow.

Experience has shown that cleaning in a dishwasher is always successful, provided the filter insert is placed in the same position in the dishwasher as it is in the WFF. Cleaning by hand is also possible with a small brush, hot water and a normal dishwashing liquid. For tenacious soiling of the filter mesh (e.g. through industrial pollution in the neighbourhood) the use of a high pressure cleaner will lead to success!

Accessories

● Extension pipe

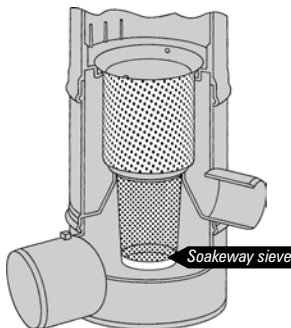
An extension pipe is already contained in the basic equipment. The inspection opening can be raised by up to 56 cm with this (up to the top edge of the top ring). Another pipe can easily be attached, but not more than three pipes should be assembled above each other.

● Lifting handle

The lifting handle in the basic equipment is usually enough for most depths, but for greater depths there is a lifting handle of appropriate length.

● Wall fixing

WISY provide a stainless steel wall fixing for internal roof drainage pipes in industrial buildings, or for fixing in shafts. These enable a safe fixing of the WFF on the inner wall.



● Soakaway sieve (maintenance part)

If the remaining and excess water is to be led into a soakaway system – instead of the drain – this sieve (mesh size 1.6 mm) is added to the filter insert. It collects the large dirt and as a result must be checked, emptied and cleaned more often.

If this absolutely necessary maintenance is not carried out and possibly causes blocked soakaway water damages, we cannot accept any liability.

● Blind insert

The blind insert provides a direct throughflow of the rainwater into the drain. It is used instead of the filter insert. This is then necessary when the cistern is to be put out of use for maintenance or cleaning work.

● Reducer

Only for WFF 150, for connecting a DN 125 or DN 100 drain pipe.

Garantie

The WFF is carefully manufactured and is subjected to strict quality controls, which ensure perfect use. If faults should occur, despite these scrupulous checks, we will provide a replacement. This does not apply to damages however, which occur through improper installation or the use of force. We provide a 2 year guarantee as from the date of purchase (hints on liability also under accessories/seepage sieve).



WISY AG Haustechniksysteme, Filtertechnik

D-63699 Kefenrod, Oberdorfstraße 26

Telefon +49 (0) 60 54-91 21-0, Fax +49 (0) 60 54-91 21-29

Internet: www.wisy.de, E-Mail: info@wisy.de